

# PRODUCT INFORMATION PACKET

Model No: 056B34F5319  
Catalog No: G533  
2,3450,TEFC,56C,1/60/115/208-230  
Totally Enclosed Fan Cooled (TEFC)



Regal and Marathon are trademarks of Regal Beloit Corporation or one of its affiliated companies.

©2018 Regal Beloit Corporation, All Rights Reserved. MC017097E



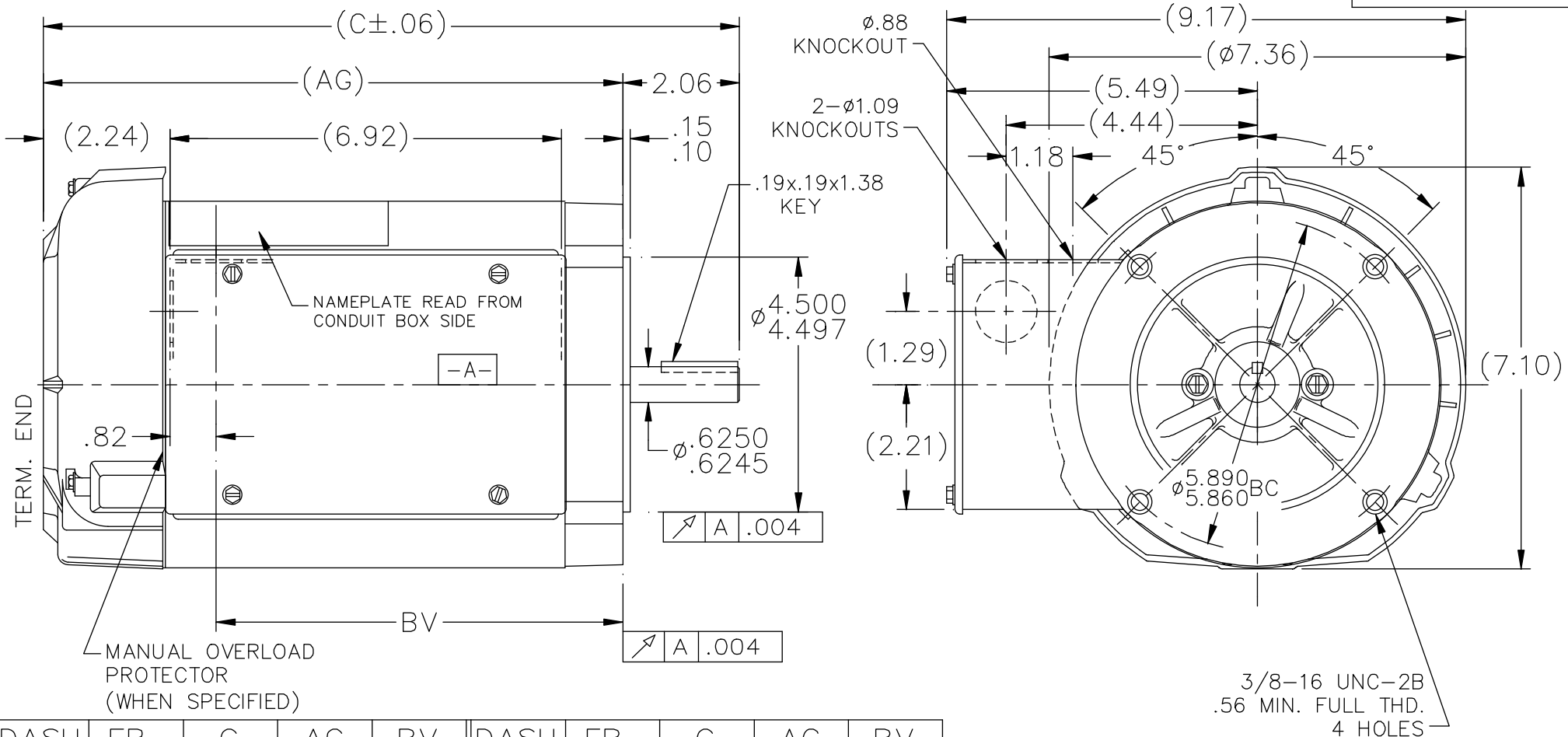
### Nameplate Specifications

Output HP	<b>2 Hp</b>	Output KW	<b>1.5 kW</b>
Frequency	<b>60 Hz</b>	Voltage	<b>115/208-230 V</b>
Current	<b>18.0/10.0-9.0 A</b>	Speed	<b>3450 rpm</b>
Service Factor	<b>1.15</b>	Phase	<b>1</b>
Efficiency	<b>80 %</b>	Duty	<b>Continuous</b>
Insulation Class	<b>B</b>	Design Code	<b>NO DESIGN CODE</b>
KVA Code	<b>H</b>	Frame	<b>56C</b>
Enclosure	<b>Totally Enclosed Fan Cooled</b>	Overload Protector	<b>No</b>
Ambient Temperature	<b>40 °C</b>	Drive End Bearing Size	<b>6203</b>
Opp Drive End Bearing Size	<b>6203</b>	UL	<b>Recognized</b>
CSA	<b>Y</b>	CE	<b>Y</b>
IP Code	<b>43</b>		

### Technical Specifications

Electrical Type	<b>Capacitor Start Capacitor Run</b>	Starting Method	<b>Across The Line</b>
Poles	<b>2</b>	Rotation	<b>Selective Counterclockwise</b>
Mounting	<b>Round</b>	Motor Orientation	<b>Horizontal</b>
Drive End Bearing	<b>Ball</b>	Opp Drive End Bearing	<b>Ball</b>
Frame Material	<b>Rolled Steel</b>	Shaft Type	<b>NEMA 56</b>
Overall Length	<b>13.32 in</b>	Frame Length	<b>8.06 in</b>
Shaft Diameter	<b>0.625 in</b>	Shaft Extension	<b>2.06 in</b>
Assembly/Box Mounting	<b>F1 Only</b>		
Outline Drawing	<b>A-100099-806</b>	Connection Diagram	<b>102006-51</b>

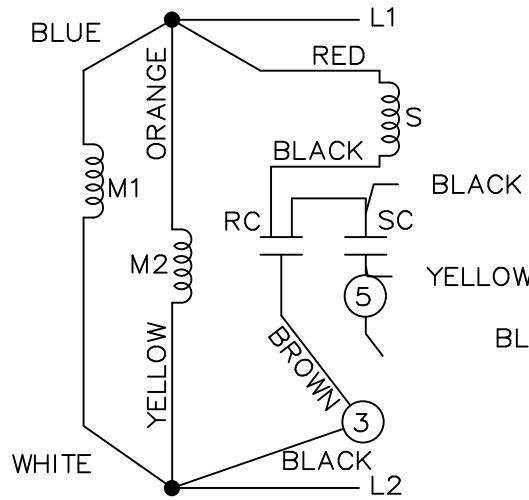
This is an uncontrolled document once printed or downloaded and is subject to change without notice. Date Created: 06/29/2018



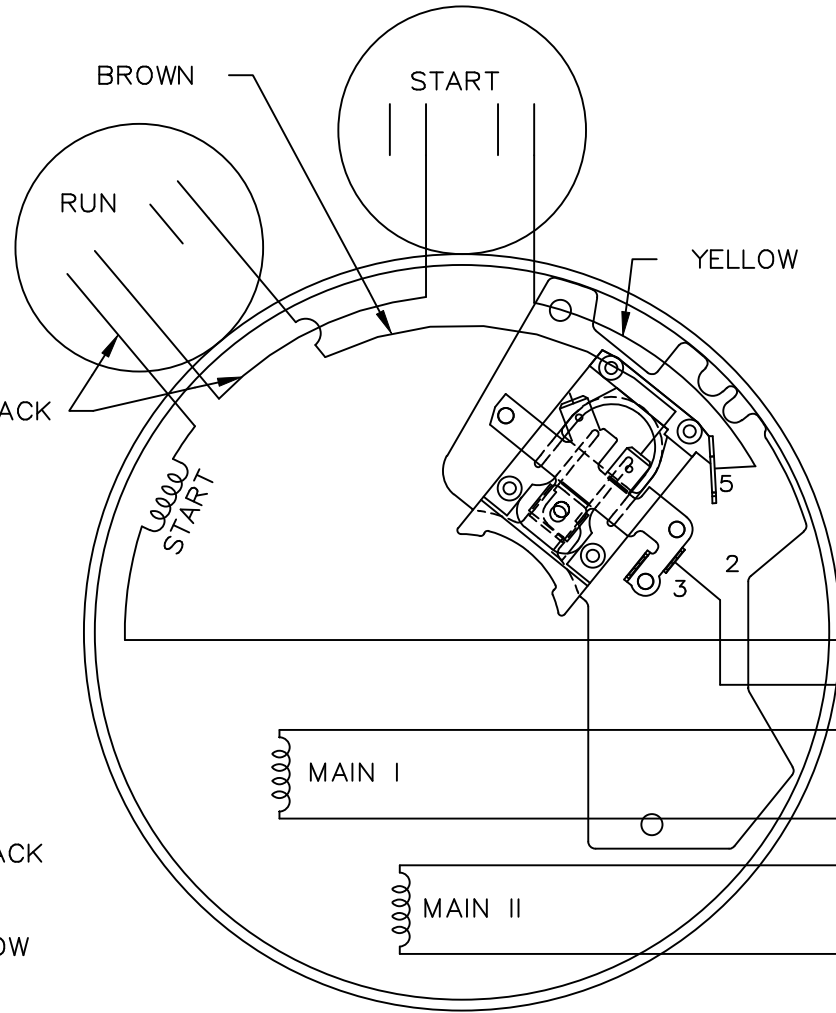
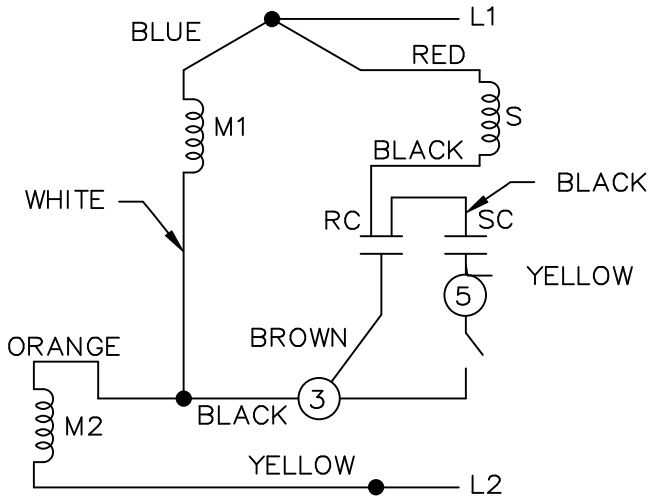
DASH	FR.	C	AG	BV	DASH	FR.	C	AG	BV
					856	56-85	13.82	11.75	8.69
706	56-70	12.32	10.25	7.19	906	56-90	14.32	12.25	9.19
756	56-75	12.82	10.75	7.69	956	56-95	14.82	12.75	9.69
806	56-80	13.32	11.25	8.19					

				TOLERANCES UNLESS SPECIFIED			DRAWN SMC 03-07-1991	
				DEC.	INCHES		CHK ML 03-07-1991	
				.X	±.1		APPD GK 03-08-1991	
				.XX	±.03		SCALE 3=8	
5	REISSUED, ADDED PROTECTOR NOTE			RM	08-04-1993	TITLE OUTLINE	REF	
4	REDRAWN ON CADD			SMC	03-07-1991	56 FR. - BB - TEFC - C'FSCE - 1Ø	FMF	
NO.	REVISION			CHK	ANG	MAT'L.	PREV	
				RFP		FINISH		
THIS DRAWING IN DESIGN AND DETAIL IS OUR PROPERTY AND MUST NOT BE USED EXCEPT IN CONNECTION WITH OUR WORK ALL RIGHTS OF DESIGN AND INVENTION ARE RESERVED THIS IS AN ELECTRONICALLY GENERATED DOCUMENT - DO NOT SCALE THIS PRINT				DIST WP		CAD FILE 100099	SIZE A	
						DRAWING NO. 100099	PAGE OF	
							REV. 5	

LOW VOLTAGE C.C.W.

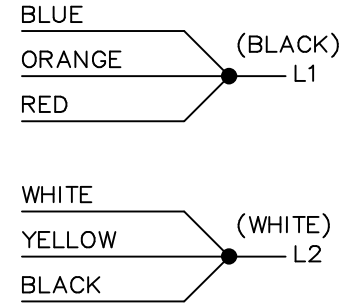


HIGH VOLTAGE C.C.W.

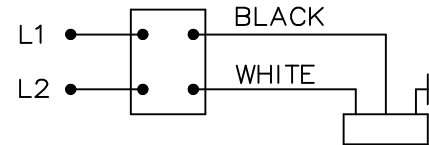
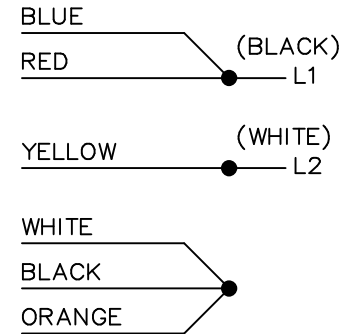


DUAL VOLTAGE CAPACITOR  
START-CAP RUN NO OVERLOAD  
SELECT ROTATION

LOW VOLTAGE C.C.W. ROTATION



HIGH VOLTAGE C.C.W. ROTATION



FOR C.W. ROTATION,  
EITHER VOLTAGE,  
INTERCHANGE RED WITH  
BLACK LEAD

			TOLERANCES UNLESS SPECIFIED		MARATHON ELECTRIC	DRAWN DT 06-07-1996
			DEC.	INCHES		CHK MRB 06-16-1996
			.X	±.1	TITLE CONNECTION DIAGRAM	APPD GK 06-16-1996
			.XX	±.02		SCALE 5=8
9	ADDED CORD AND SWITCH VIEW MU37521	DRS 06-22-2001	.XXX	±.005		REF
8	REDRAWN ON CADD	DT 06-16-1996	.XXXX	±.0005	MAT'L.	FMF
NO.	REVISION	BY & DATE	CHK	ANG ±7'30"	FINISH	PREV
THIS DRAWING IN DESIGN AND DETAIL IS OUR PROPERTY AND MUST NOT BE USED EXCEPT IN CONNECTION WITH OUR WORK ALL RIGHTS OF DESIGN AND INVENTION ARE RESERVED THIS IS AN ELECTRONICALLY GENERATED DOCUMENT - DO NOT SCALE THIS PRINT			RFP	CAD FILE 102006-51		SIZE A
			DIST WP			DRAWING NO. 102006-51
					PAGE OF 9	
					REV. 9	

